



VEER INDUSTRIES

Rotational with advanced technology



Mehul B Panchal
Head Of Company



+91 84859 66507



<https://www.indiamart.com/veerindustries-ahmedabad/>



Odhav, Ahmedabad, Gujarat, India.



veerindustries1993@gmail.com

follow us on



Introduction

'Veer Industries' is a specialist manufacturer of rotational moulding machines & Pulveriser in ahmedabad, State of Gujarat (India).

We offering in this industry since 1990, A widerange of Rotational moulding machine, Rotomoulds & Pulveriser machine, Extrude machine for LLDPE Compunding and Rotmoulding recycling plant.

Rotational moulding machine having many different models like Biaxial machine, Rock n roll machine, and Closed oven Rock n roll machine to suit every customers requirements.

Mission and Vision

'Veer Industries' is ahead through its non-stop research and development in the field of Rotomoulding and Rotational Moulding industry.

Migrate to the new economy through the provision of the right strategic advice and realistic road maps. (e-Consulting) Maximize return on investment through..

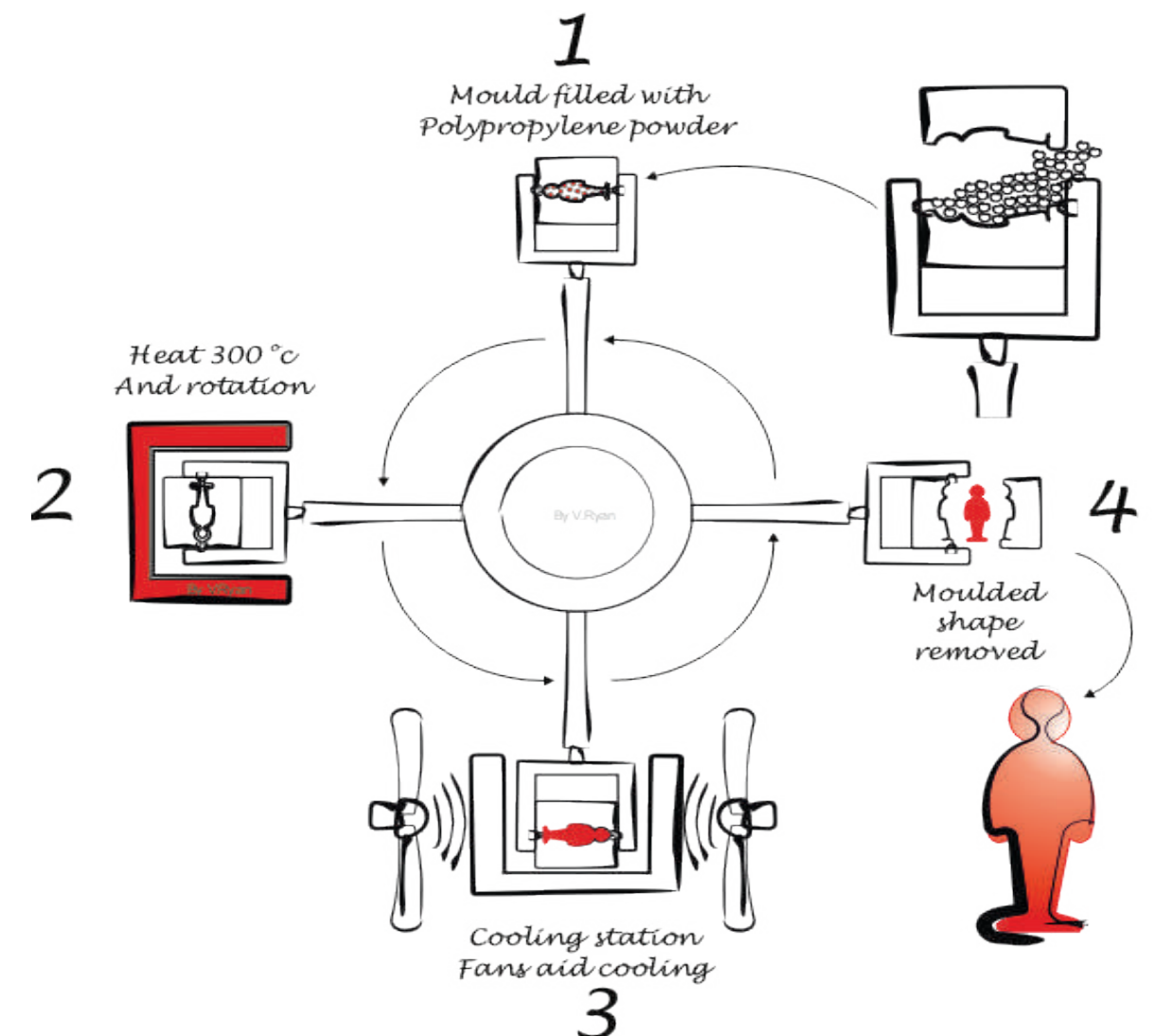
To be the preferred e-Solutions parter for organizations exploiting the new economy through the creation of successful digital business.



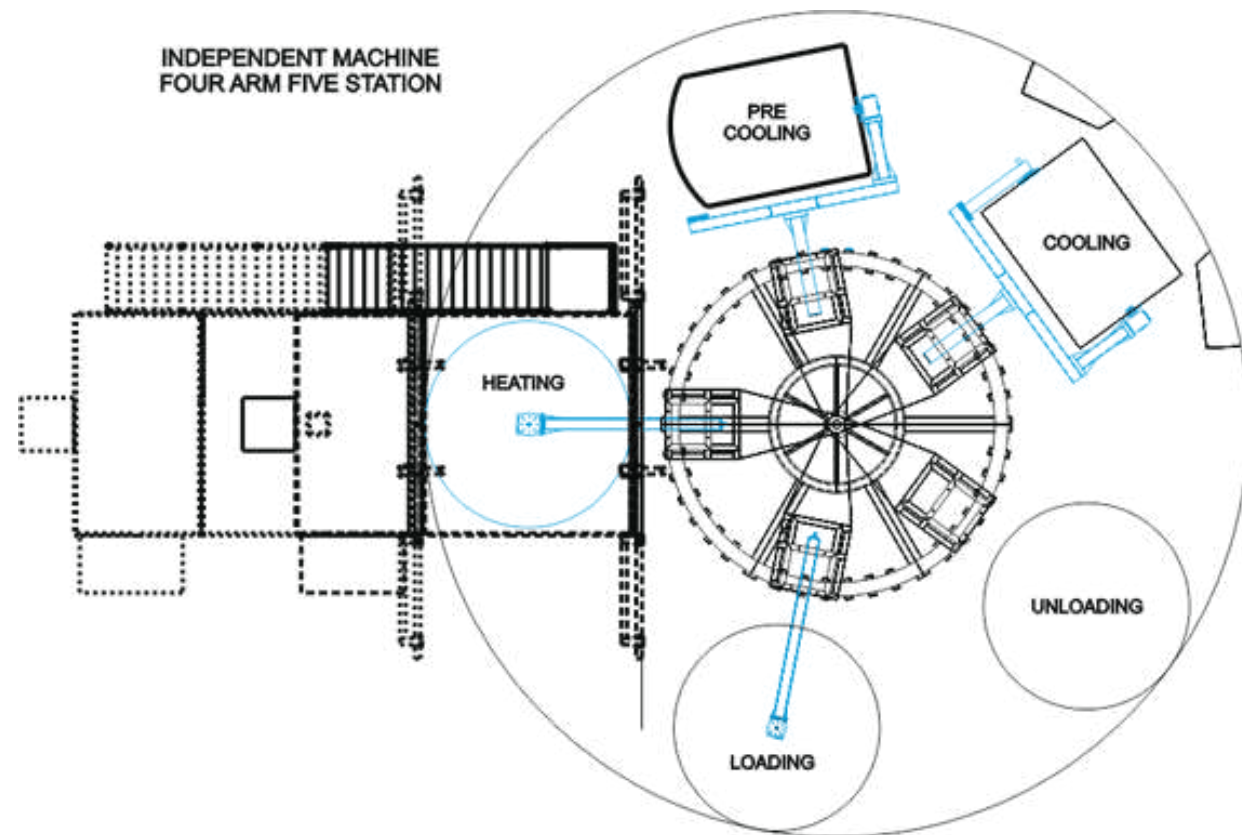
Rotational Moulding Process

The Rotational moulding process is a plastic material LLDPE (Linear low densitypolyethylene) in powder form filled into hollow moulds made from sheet steel or aluminium cast.The mould is closed and rotate on two Axis inside heating oven, the plastic melt and wall-in the mould is moved to cooling station and cooled by air orwater spray. After finish the cooling process, stop the mould, open and pull out thefinal products.

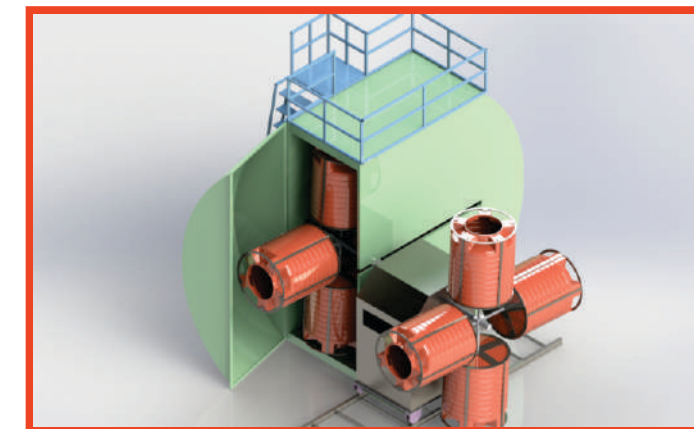
Cooling Process



Bi Axial Machine



Bi Axial Machine



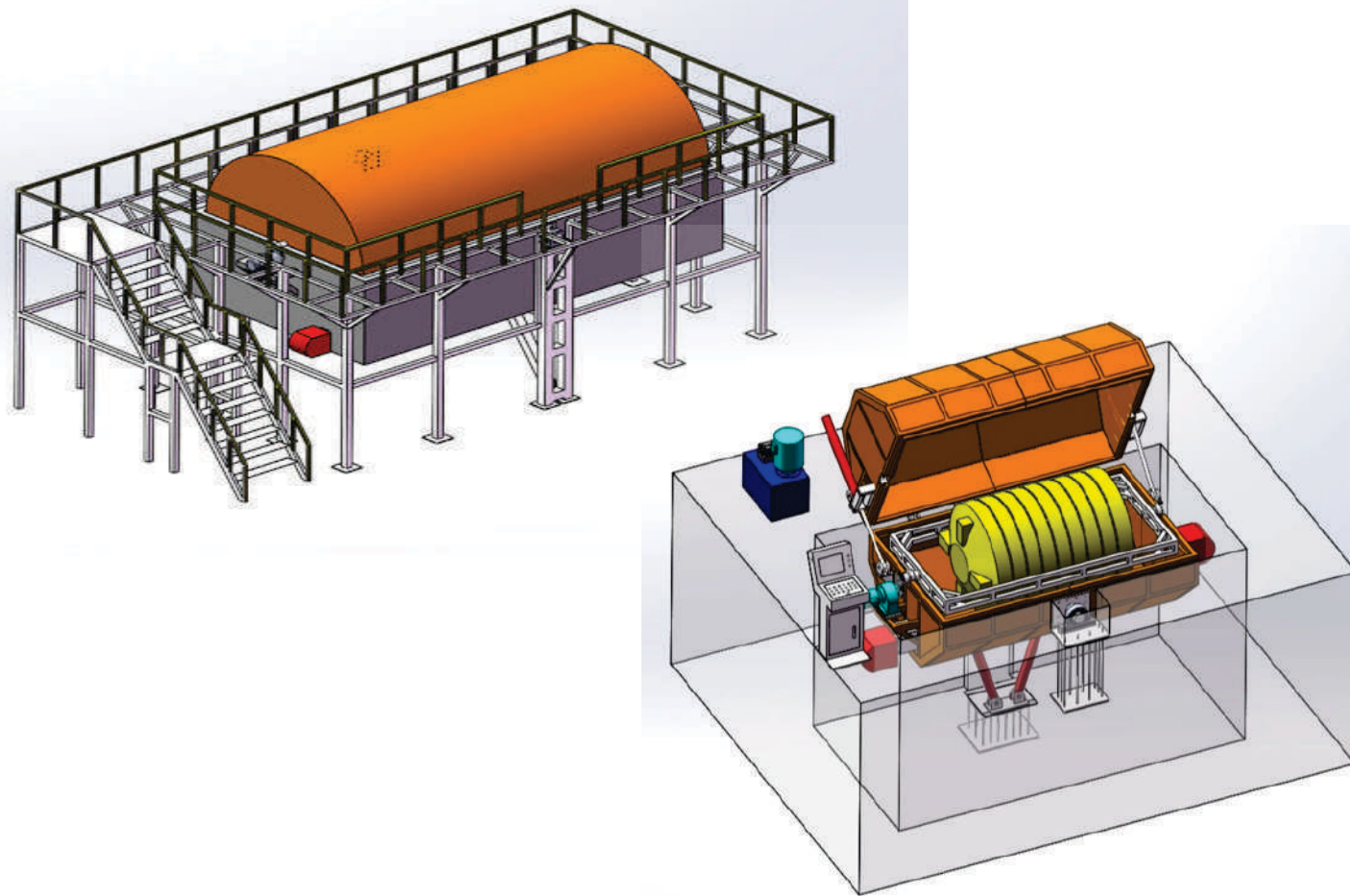
Features :

- 3 & 4 Arm Biaxial Machine
- High Insulation air tight oven for tank Cooking in less amount of Fuel
- Inter Locking system available for Door, Oven & Turret Travel Travel
- Auto Ignitor Burner Having Fuel Option
- Blower Available for heat circulation in Proper amount
- Pneumatic Cylinder for Door Locking System
- Suitable for Produce water tanks, Road Barrier, Flower pots, Dustbin and other Rotomoulding Products
- AC variable drive for Speed controlling
- Hexagonal type Heat saving oven
- Spider available for variety of moulds mounting

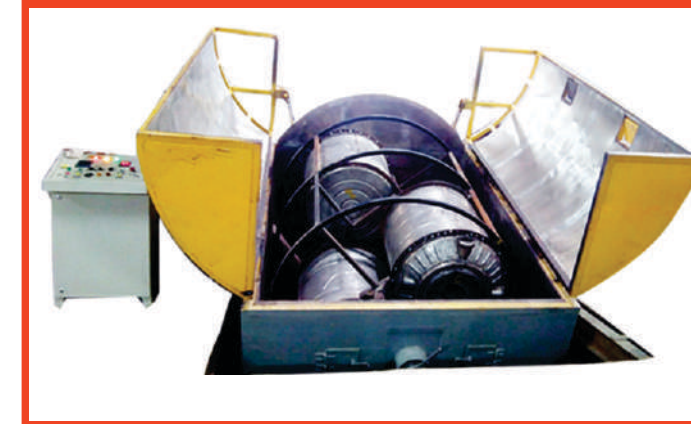
Technical Specification

	VI4ARM-1	VI4ARM-2k	VI4ARM-5k	VI4ARM-HP
No of Arms	4 Straight arm	3 straight arm & 1 offset arm	2 straight arm & 2 offset arm	2 straight arm & 2 offset arm
Max tank on Straight arm	300x4,500x4,750x2 & 1000x2	300x4,500x4,750x2 & 1000x2	300x4,500x4,750x2 & 1000x2	500x8, 1000x4, 2000x2
Max tank on offset arm		1500x1, 2000x1	1500x1, 2000x1, 3000x1 & 5000x1	3000x1 & 5000x1
Production capacity 12 Hrs	60000 Litres	60000 Litres	90000 Litres	120000 Litres
Fuel	Gas/Diesel	Gas/Diesel	Gas/Diesel	Gas/Diesel
Working temp	230°C	230°C	250°C	260°C

Closed Oven Rock N Roll Machine



Closed Oven Rock N Roll Machine



Features :

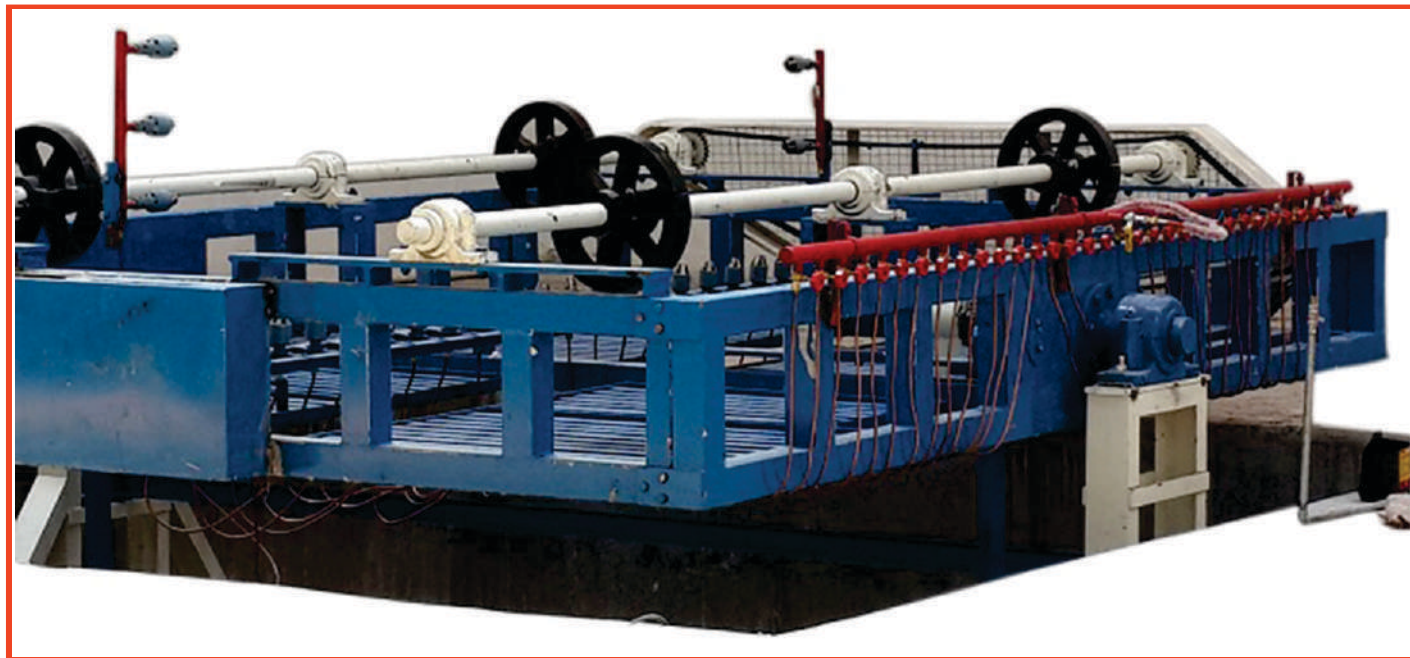
- A Specially low Investment machine for upto 5000 Liters tank product
- Less amount of Space required
- Low power consumption
- 1 Operator + 2 unskilled labour required
- Less fuel consumption upto 3KG LPG for 1000x2 tanks
- 100% maintenance free machine
- Hydraulic cylinder for Door & machine operation

Technical Specification

Models	VIOVAN-5K	VIOVAN-HP
Tank capacity	300x4, 500x4, 1000x2 2000x1, 3000x1 & 5000x1	1000x4, 2000x1, 3000x1 & 5000x1, 7000x1 & 10000x1
Electricity required	5 HP	8 HP
Fuel	LPG	LPG
Production 12 Hrs	30000-40000 Litres	60000 Litres

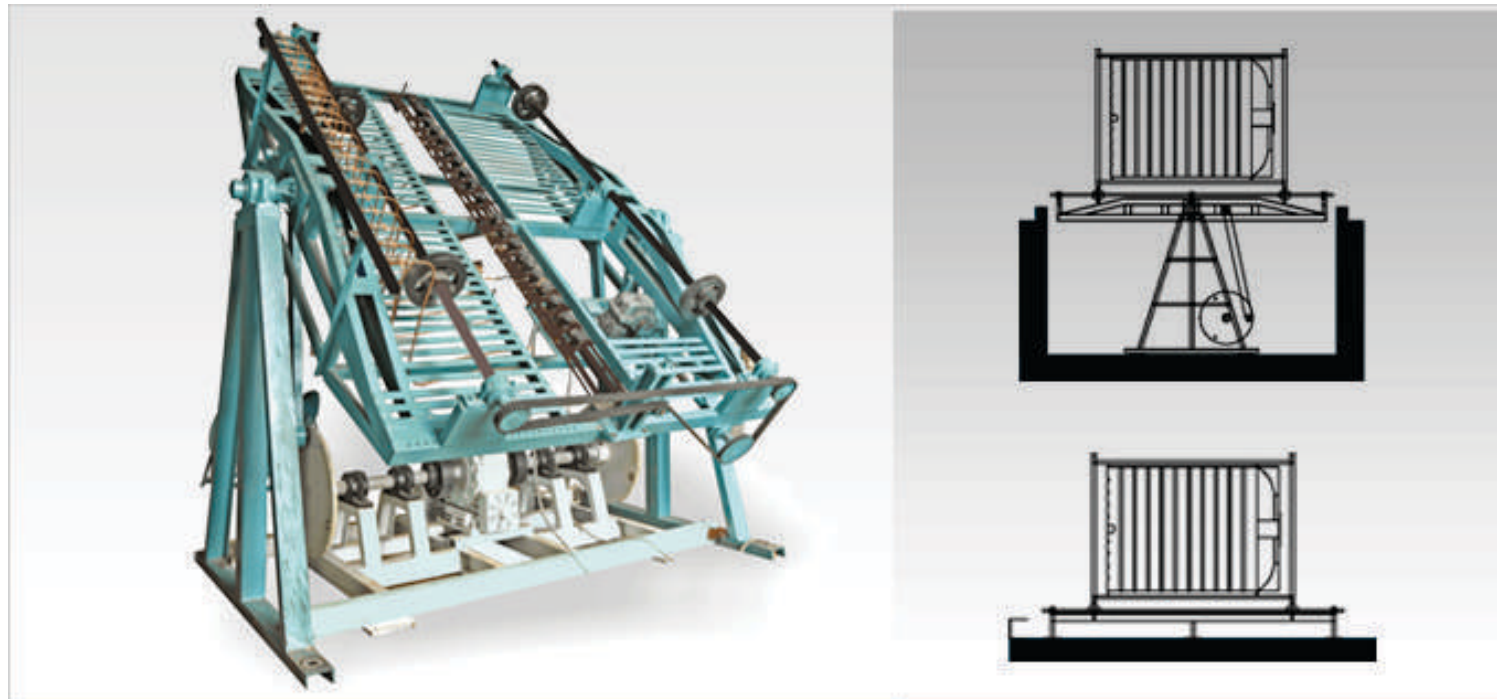


Open Fired Rockl N Roll Machine



Features :

- A Best suitable machine for Large Rotomoulding products Like tanks, Boats & other
- Tank products capacity upto 40000 Liters
- Easy to operate
- LPG gas fired machine
- Hydraulic system for rocking & Gear eccentric system for Rolling



Scrap Grinder Machine



SCRAP GRINDERS(GRANULATORS) are commonly used by almost all the polymers processing industries like Rotomoulding, Blow moulding, PVC Extrusion, manufacturing plants to recycle waste materials through size reduction for reprocessing.

Mixer Machine

High efficient high speed Mixer designed to generate heat due to friction. The high speed Mixers are used to mix granules with pigment paste or pigment powder or different coloured granules for uniform blending. The high-speed mixer achieve heat while working is important to blend the pigment paste and polymer powder uniformly



Pulveriser Machine



Features :

- The Pulveriser machine grinding varieties material like high & low density
- Hopper loader for Automatic granual loading
- Output powder size 18-35 Meshes
- Magnet available in hopper for metal detect
- Overload trip system & indication with hooter
- Dust collector & well designed Cyclone for easy clean up

Technical Specification

Models	VIPUL-100	VIPUL-150	VIPUL-200	VIPUL-200
MAIN MOTOR	25HP	40 HP	60 HP	75 HP
Production/hg for LLDPE	80-100 Kg/hr	120-160Kg/hr	175-230Kg/hr	250-300Kg/hr
Hopper Loader	—	—	Yes	Yes
Space required (L x W x H)	8' x 5' x 12'	8' x 6'x 12'	9' x 6'x 13'	10' x 7' x 14'

Extruder Machine

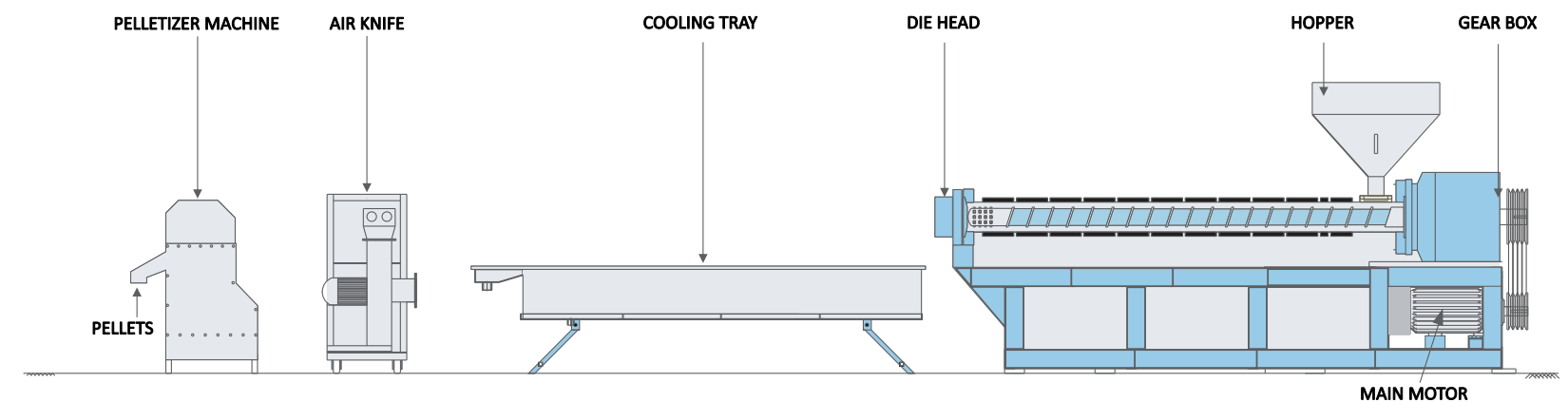


Features :

- Extruder machine for LLDPE Compounding
- A Die face extruder
- Single man operation
- Easy to operate, No material wastage
- Less energy consumption
- Automatic screen changer available
- 100% automatic machine



Models	VIPUL-100	VIPUL-150
Main Motor	25 HP	50 HP
Production/hg for LLDPE	80-100 kg/hr	200 kg/hr
Die-face system	—	✓
Screen Charger	—	✓
Pelletize	1	X



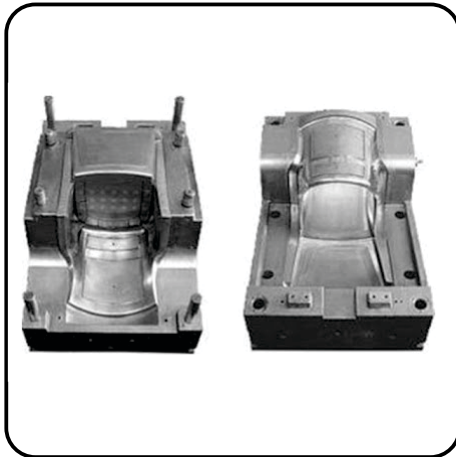
Meridian Range Moulds



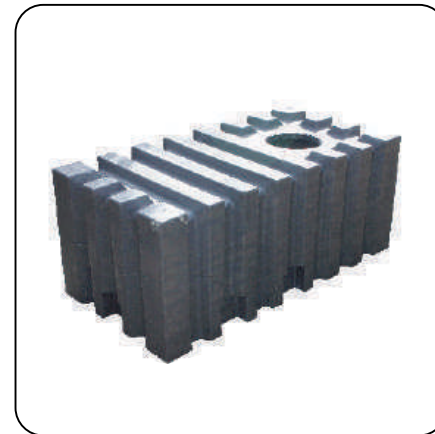
Meridian Range Moulds



Meridian Range Moulds



Meridian Range Moulds



Meridian Range Moulds



Meridian Range Moulds



Meridian Range Moulds



Meridian Range Moulds

